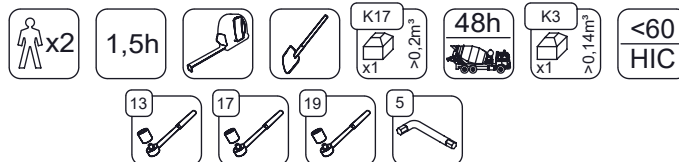
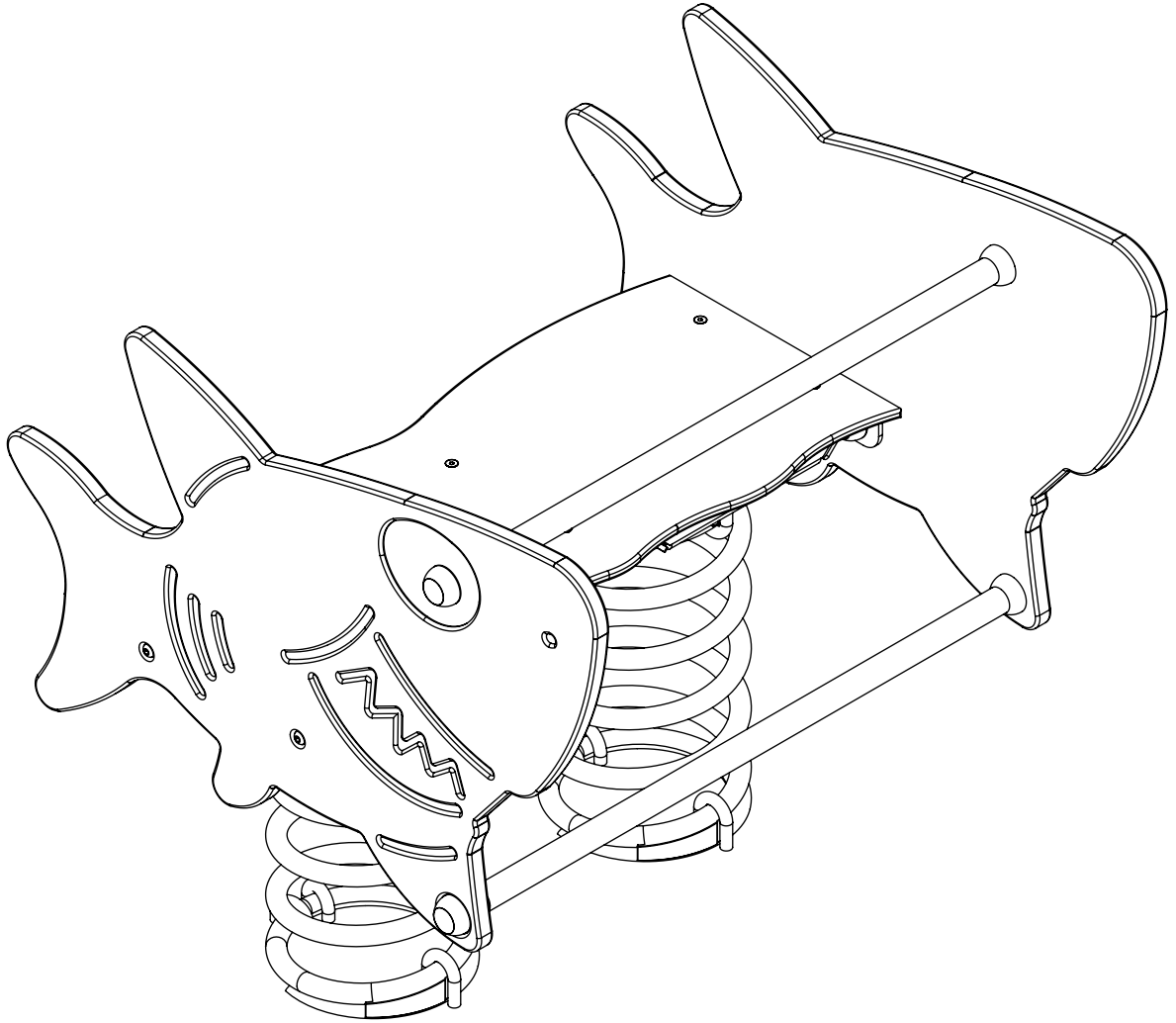
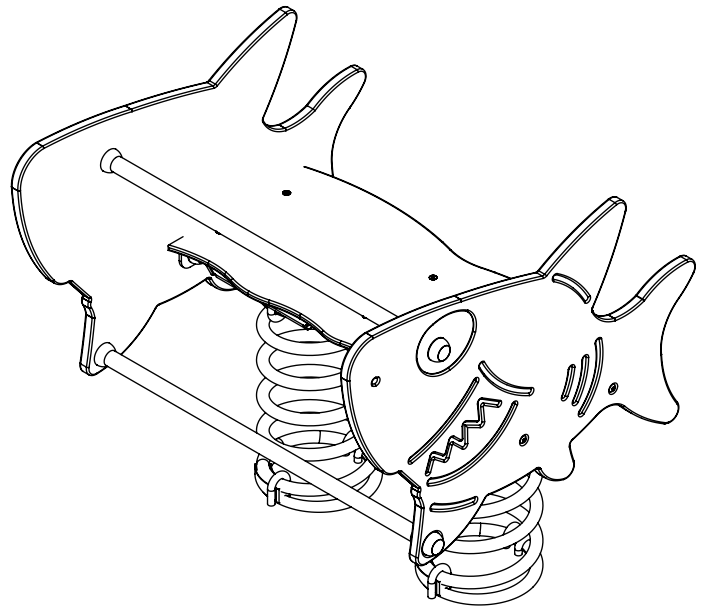
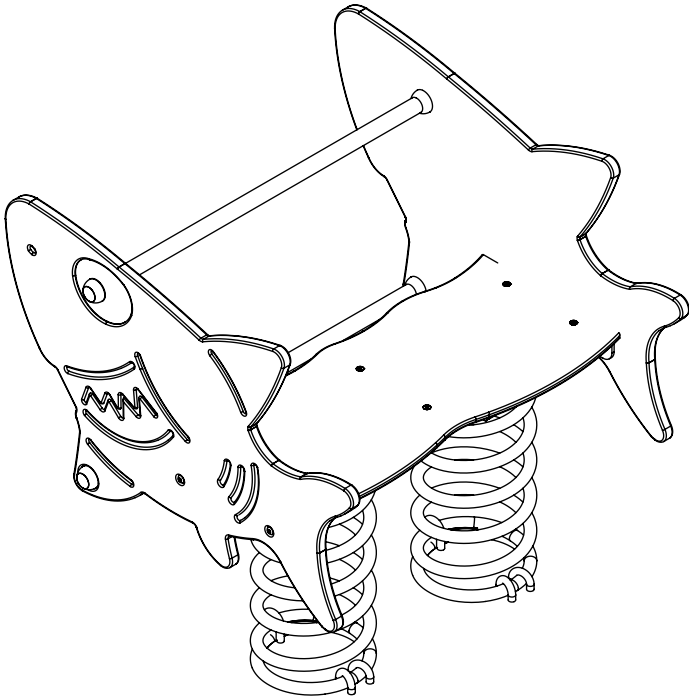
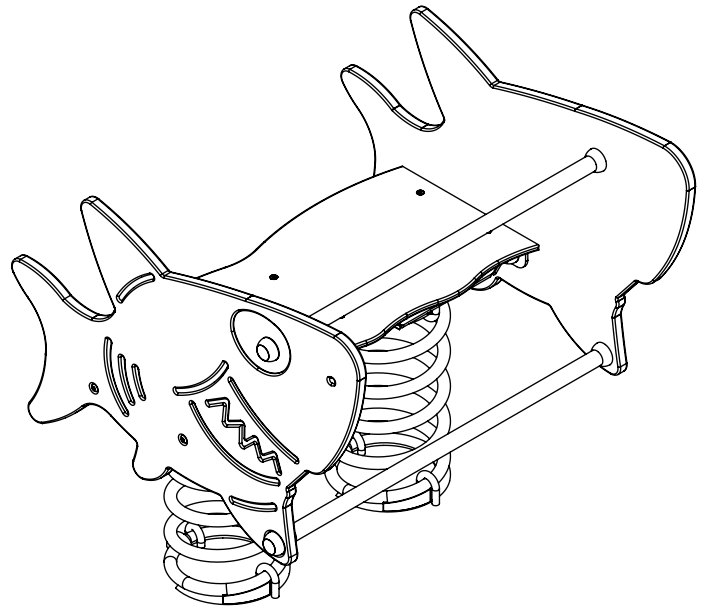
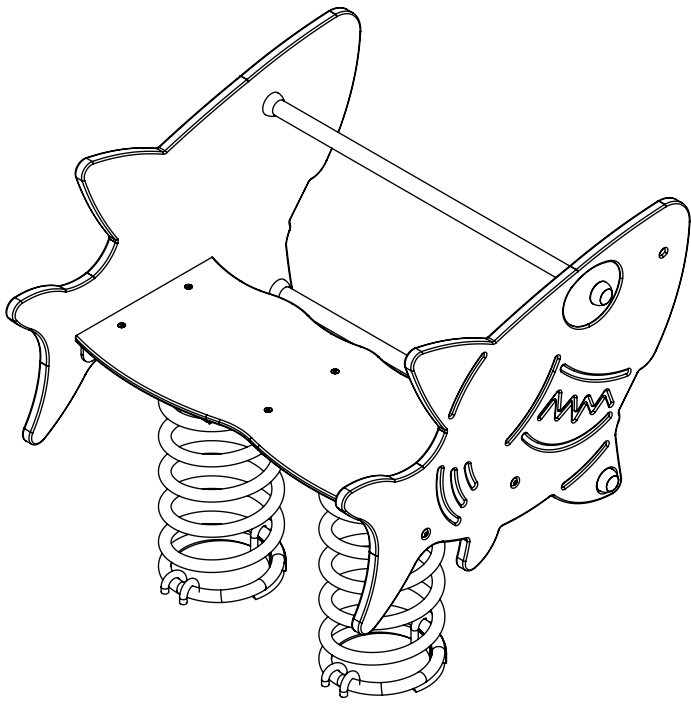


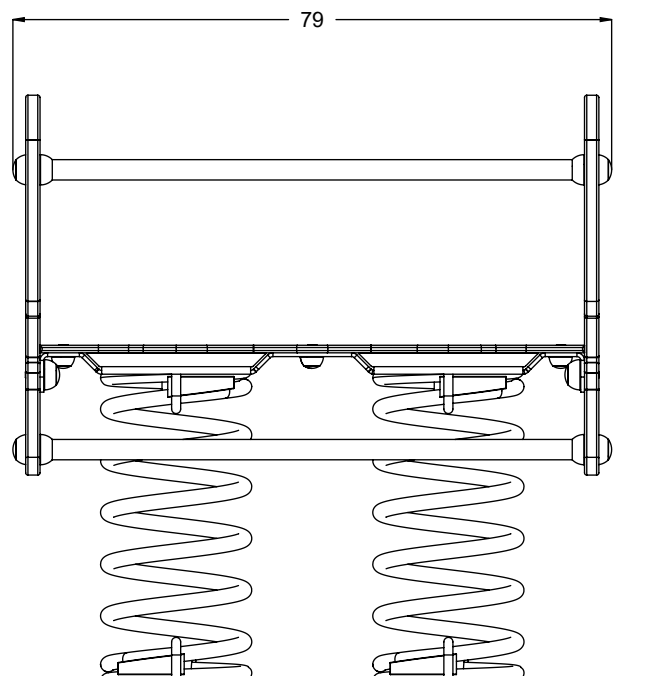
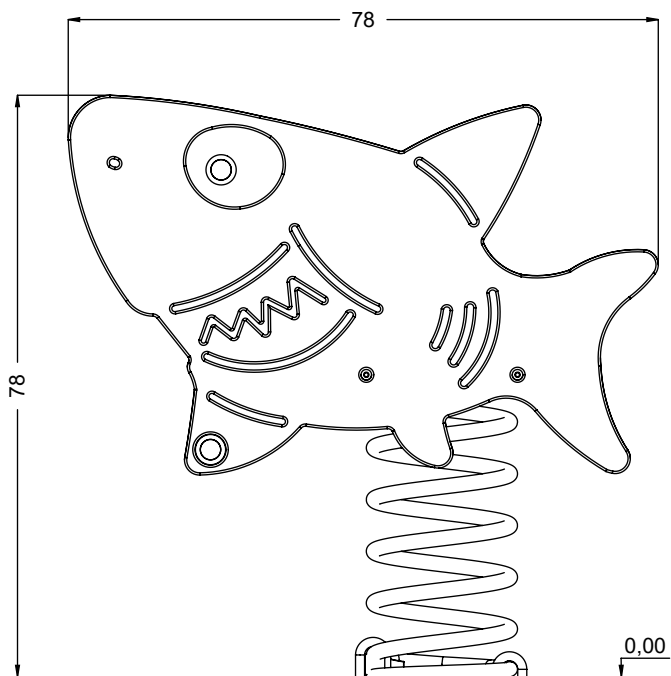
0623



v011
07.07.2021
A. H.
[cm]

vinci
play

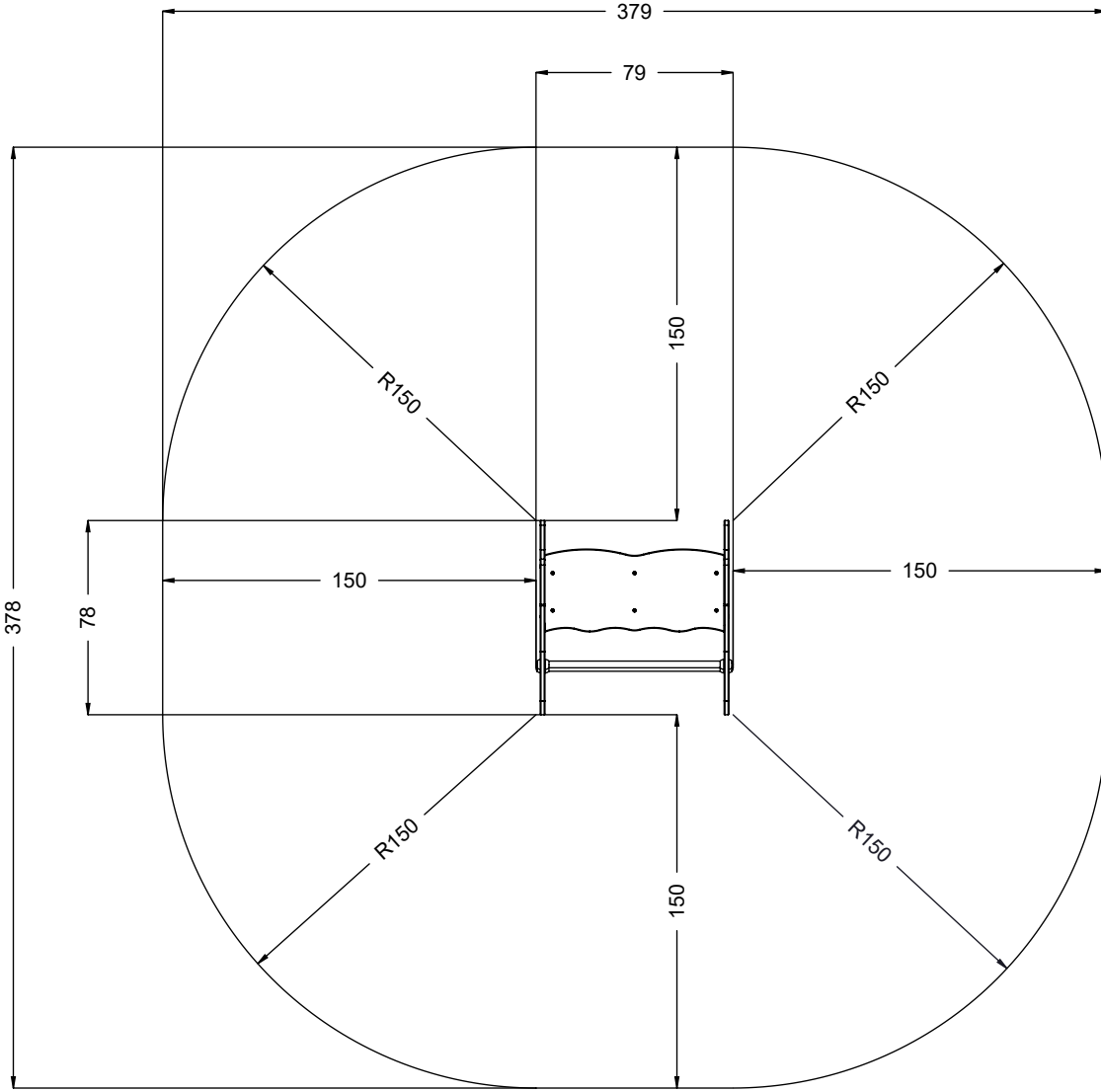




[cm]



vinci
play

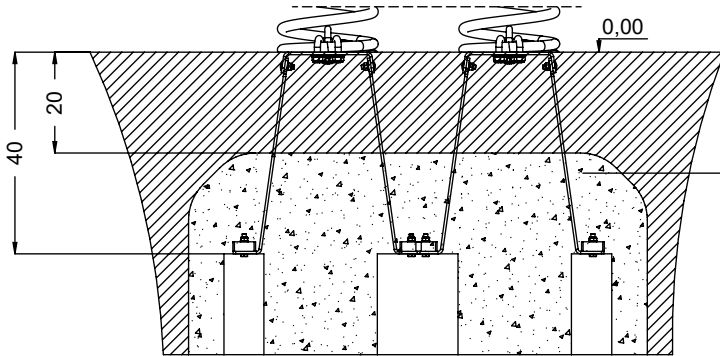
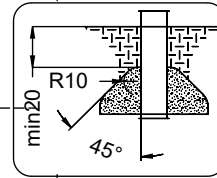
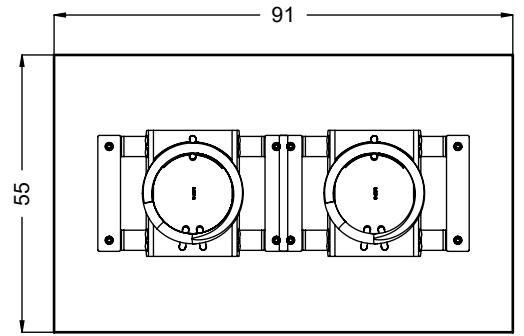
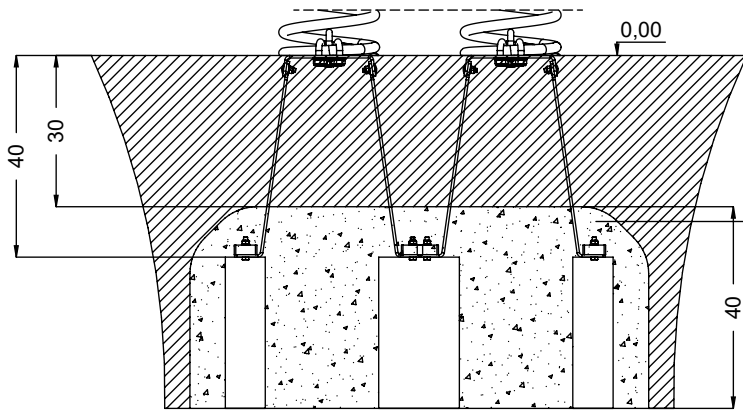


[cm]


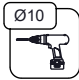



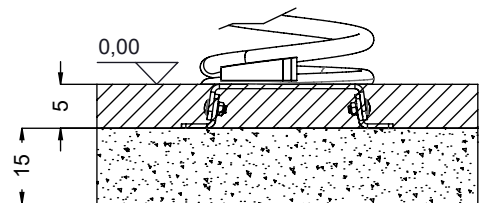
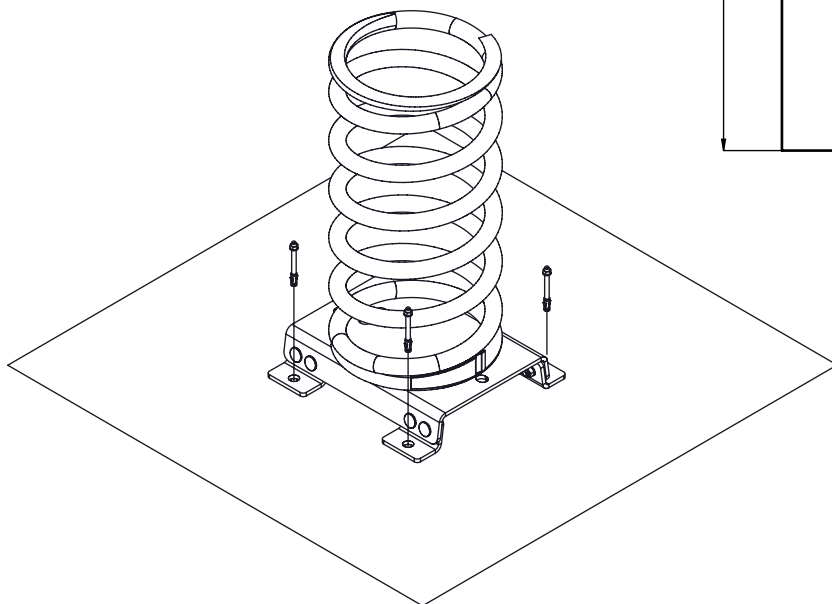
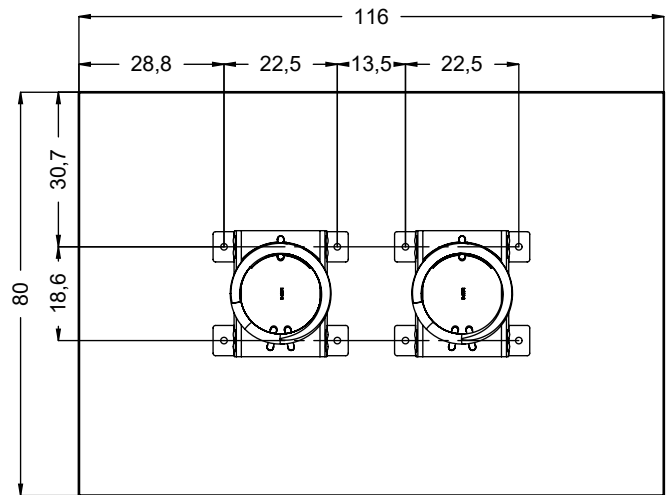
vinci
play

K17



K3

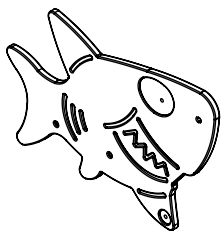
	K3
M10x120 x8	
NOT INCLUDED	



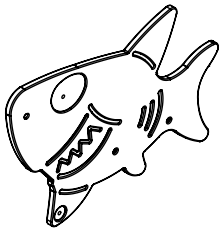
[cm]

	1,5h			K17 x1 >0,2m³	48h 	K3 x1 >0,14m³
---	-------------	---	---	-------------------------	---	-------------------------

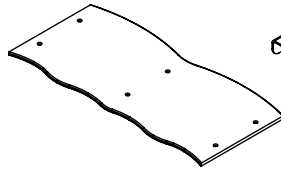
vinci
play



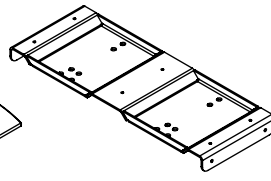
061120
x1



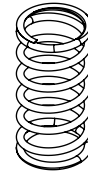
061121
x1



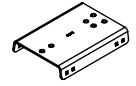
061118
x1



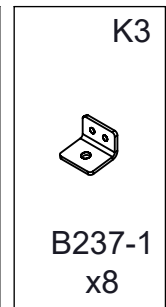
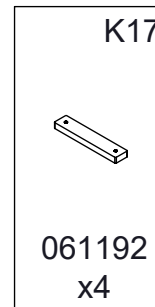
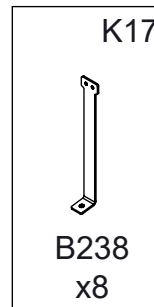
b234-1
x1



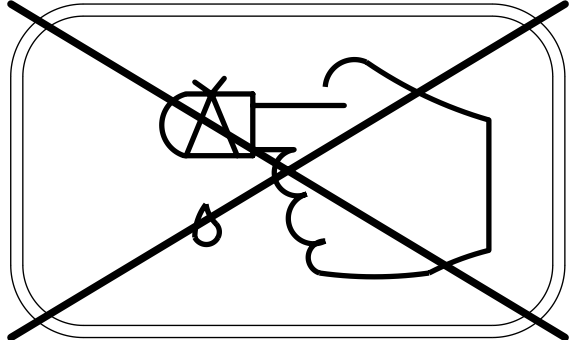
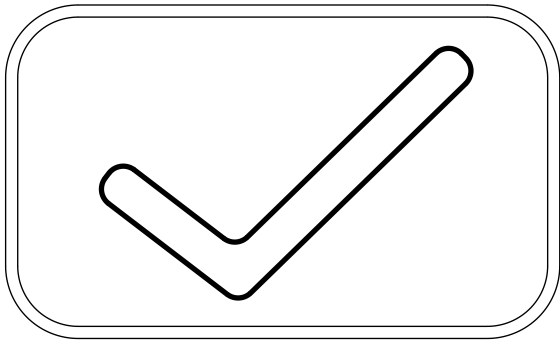
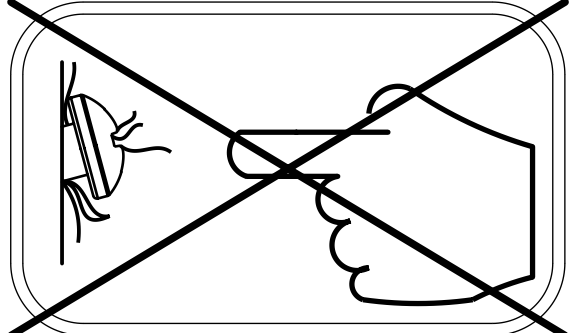
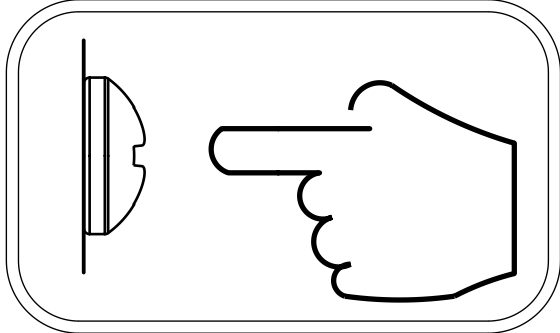
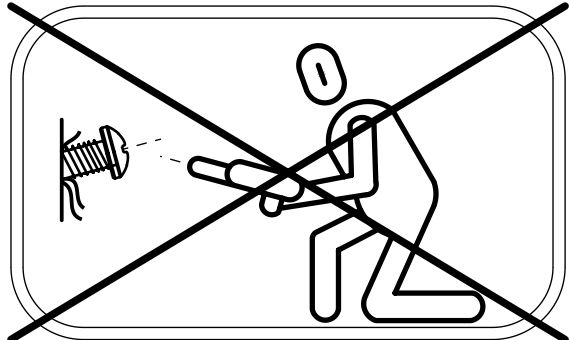
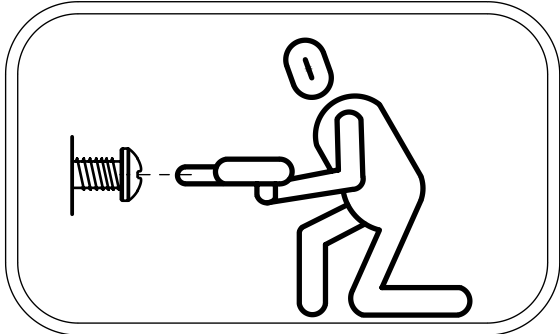
993119
x2



B239
x2

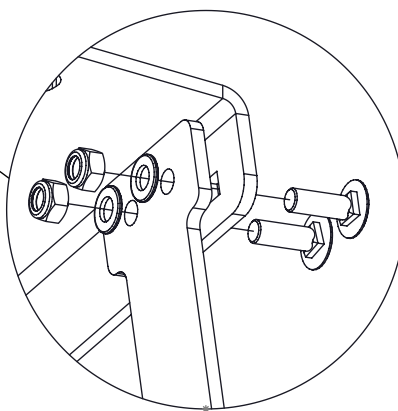
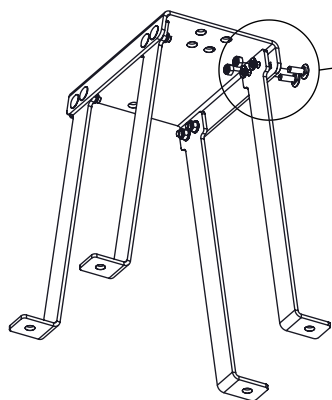


ST/INOX		HDPE	
2x	SP3 _(K17)	1x	SP11
2x	SP1	1x	SP31
4x	SP2	1x	SP32
1x	SP27		
1x	V001		

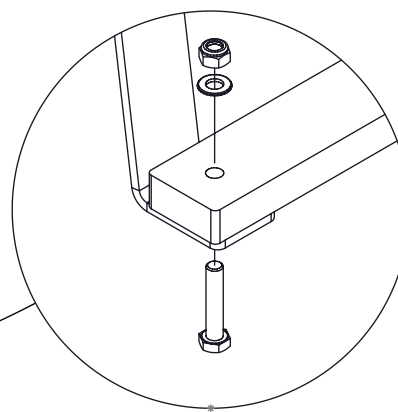
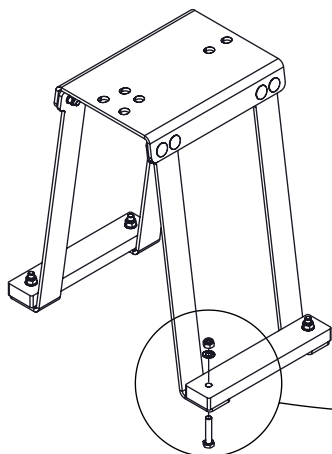


K17

x2



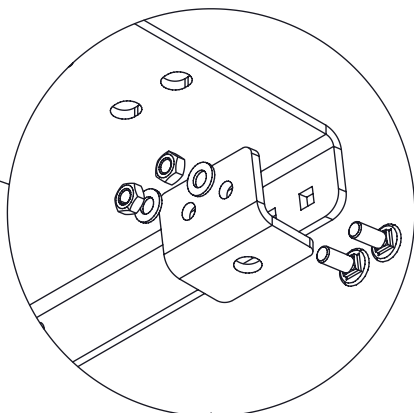
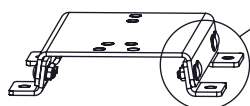
SP1 x1



SP3 x1

K3

x2

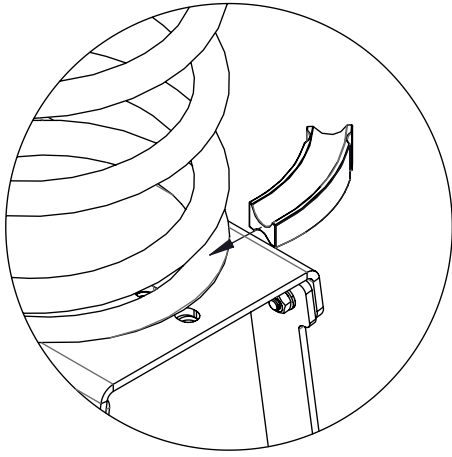


SP1 x1

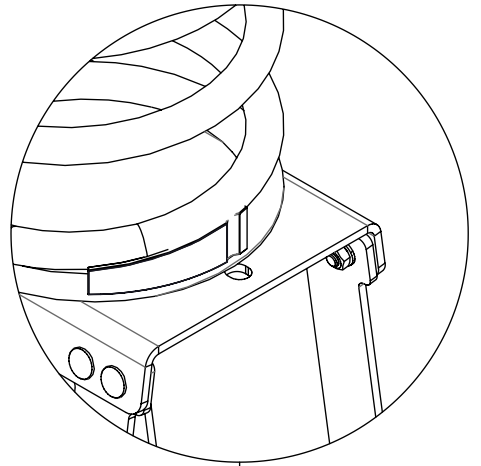
[cm]



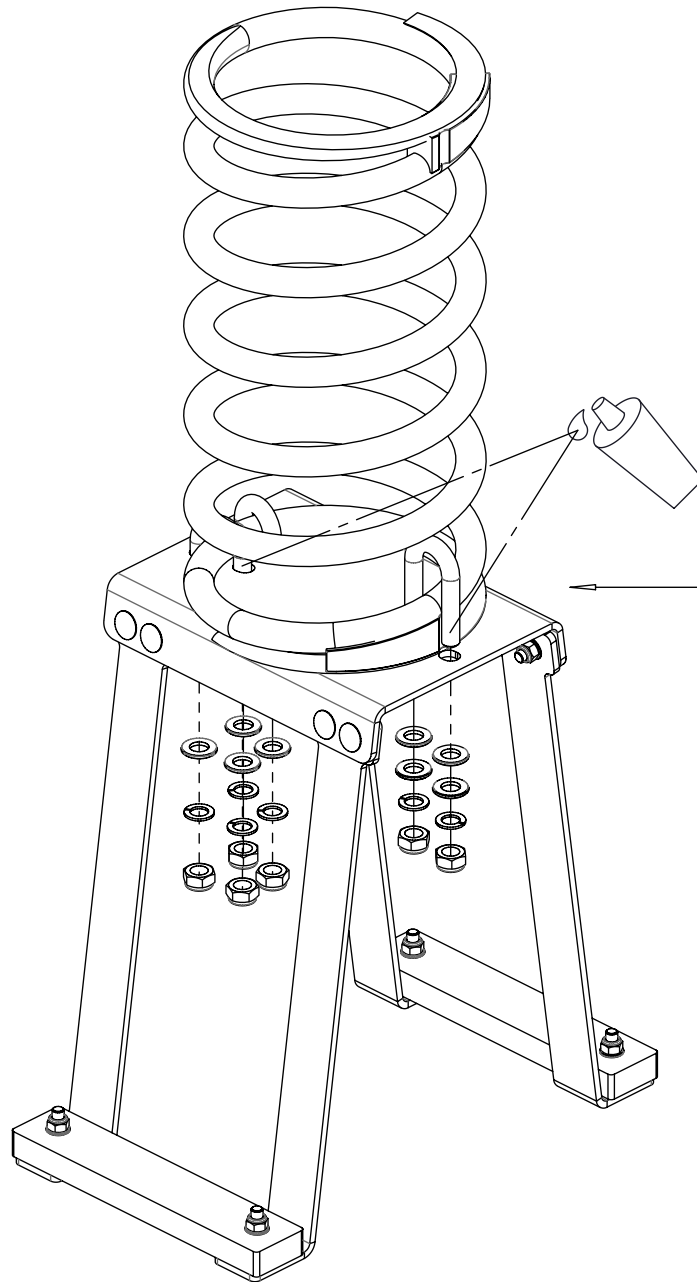
vinci
play



SP2 x1



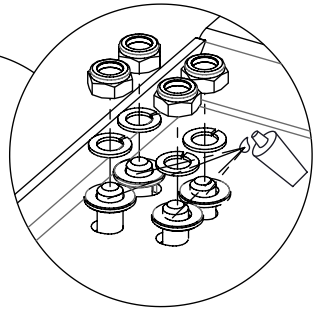
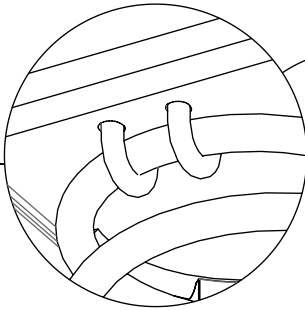
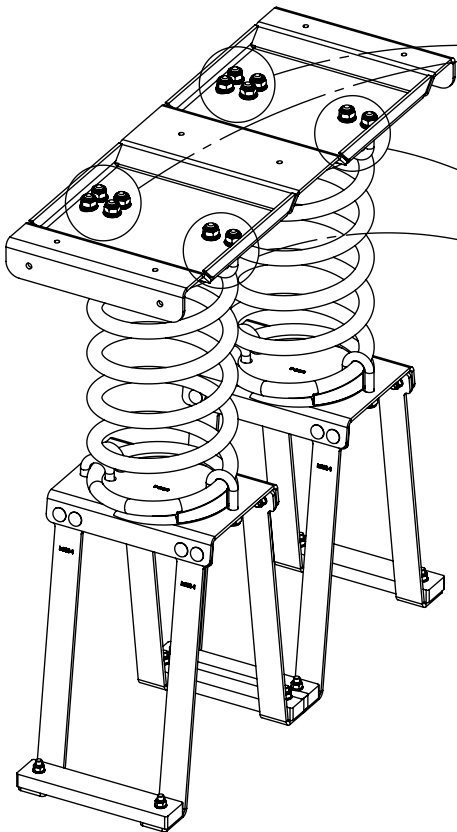
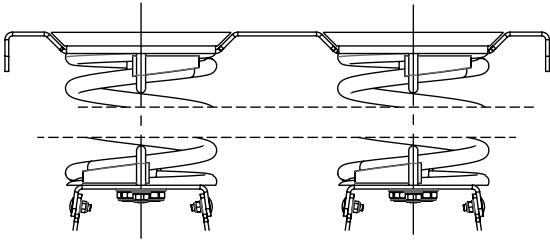
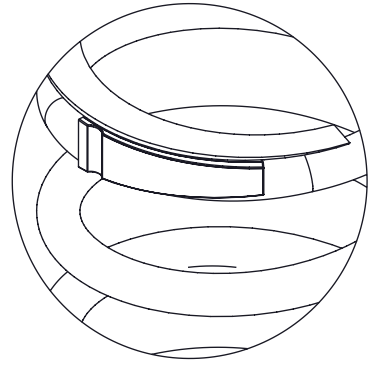
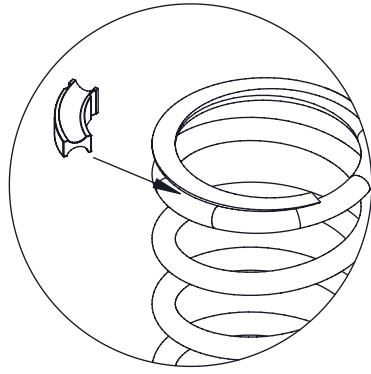
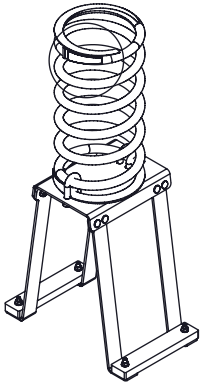
x2



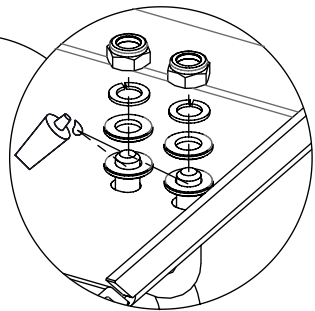
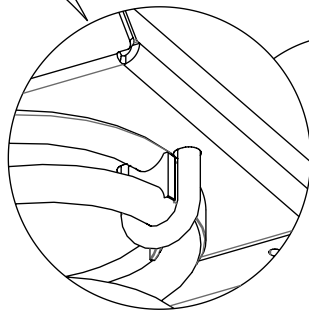
[cm]



vinci
play



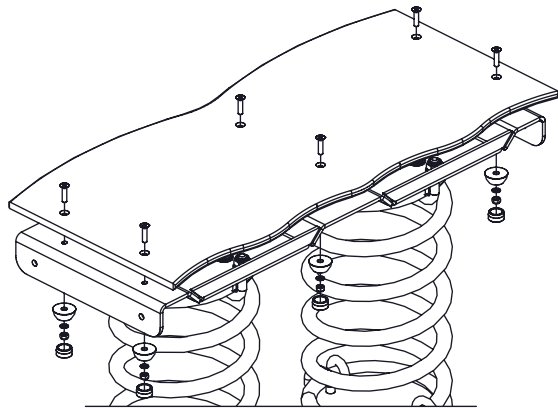
SP2 x2



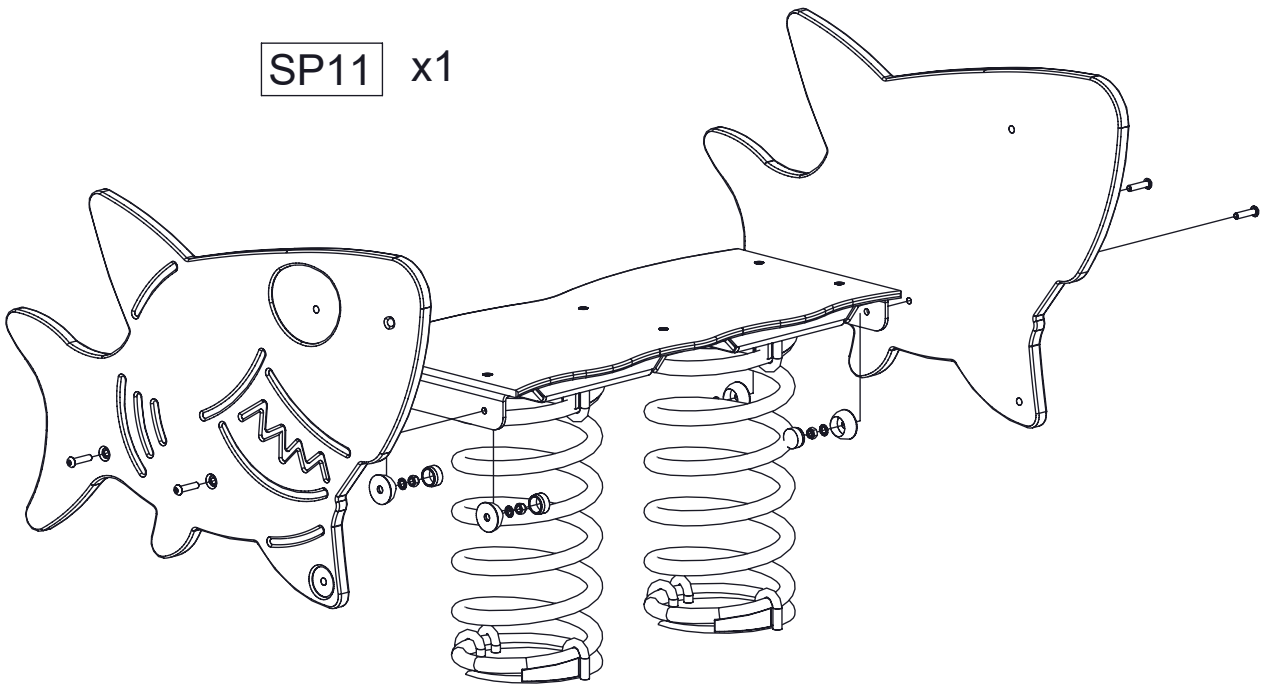
[cm]



vinci
play



SP32 x1

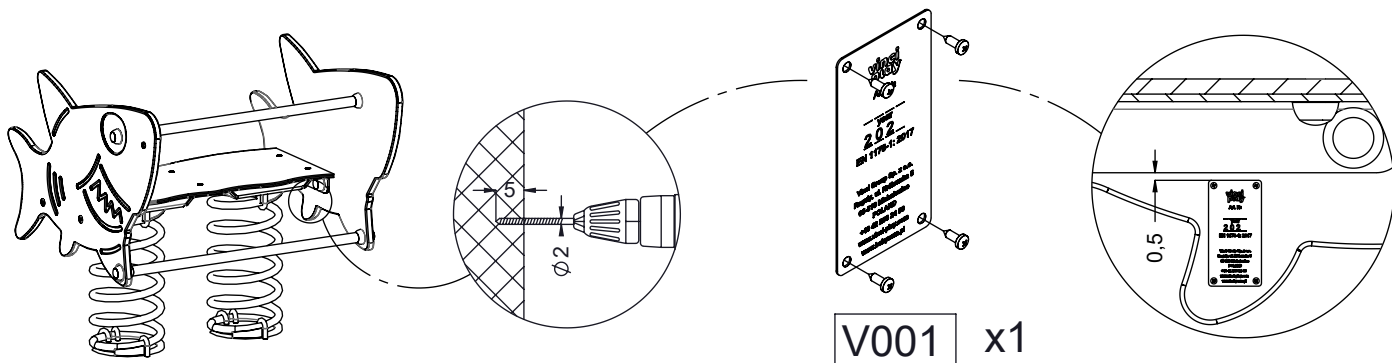
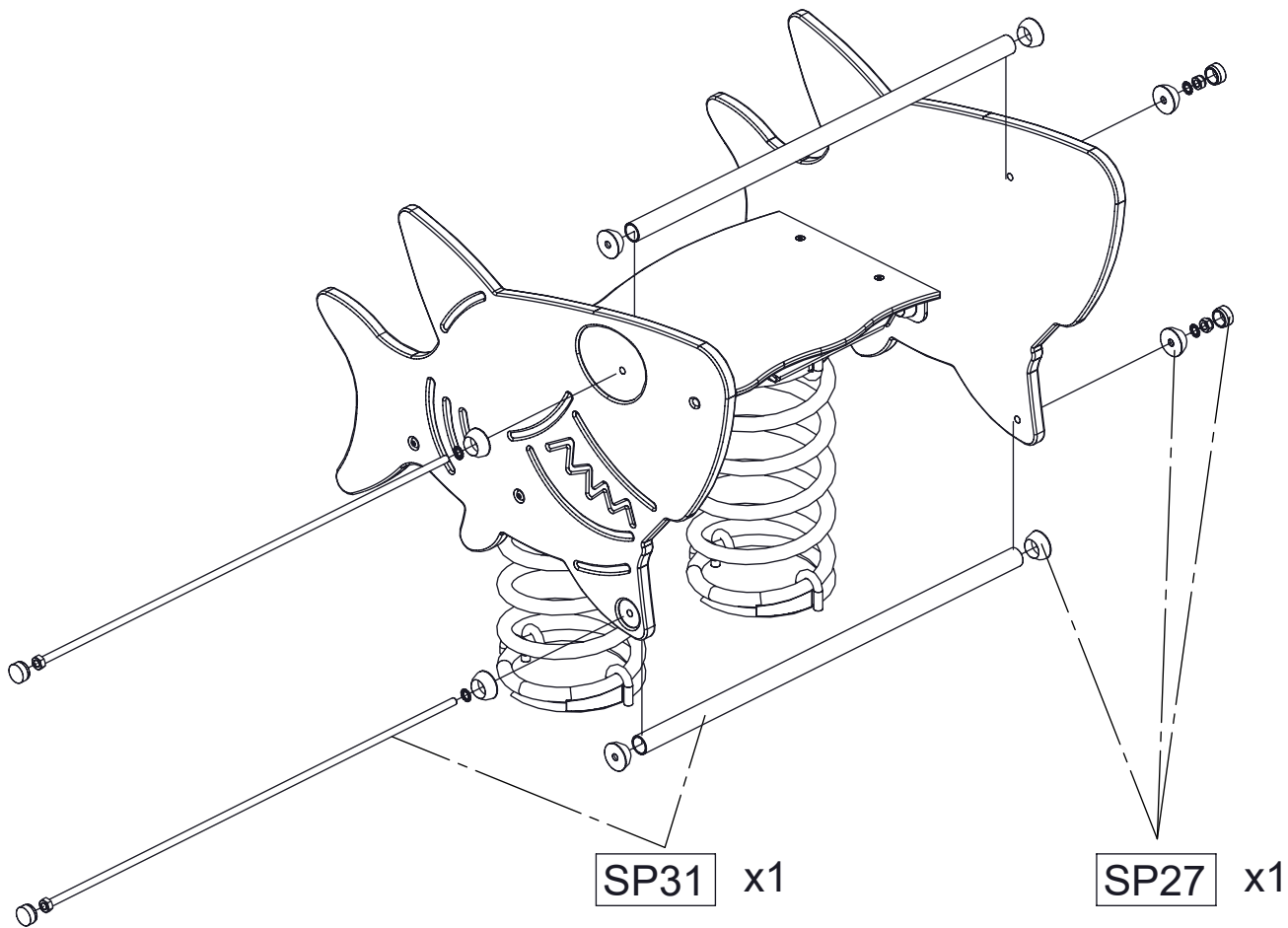


SP11 x1

[cm]

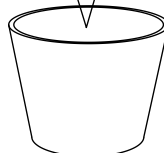


vinci
play



Part No:
000000-
00000

000000-00000



[cm]

vinci
play